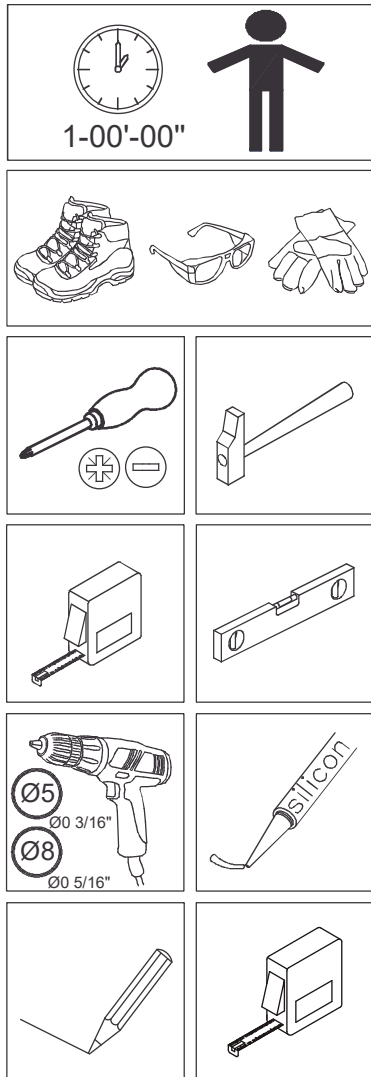
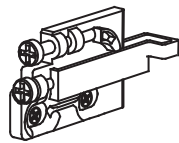
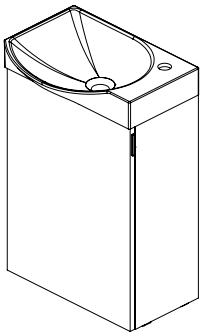
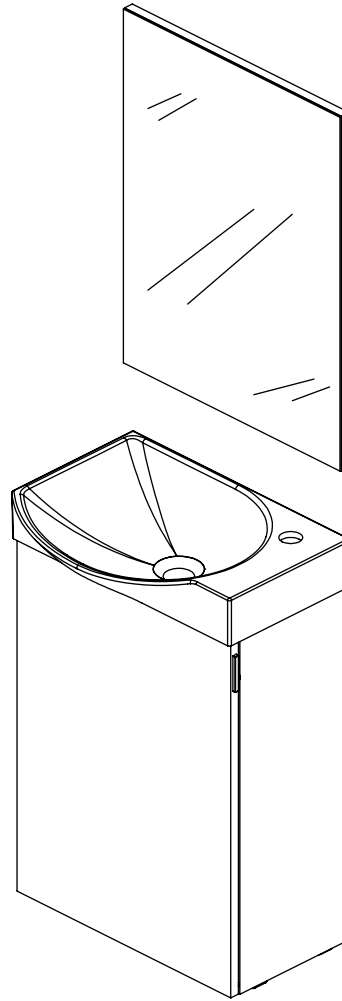


# Mika

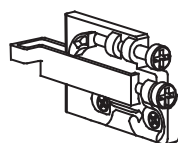
# AMIZUVA



NON INCLUS / NOT INCLUDED



x1



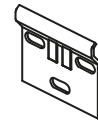
x1



Ø8 x4  
Ø0 5/16" x4



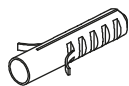
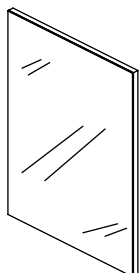
T1 x4



x2



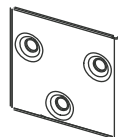
x4



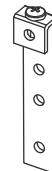
Ø8 x4  
Ø0 5/16" x4



T1 x4



x2



x2



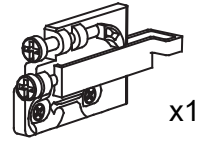
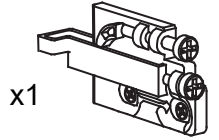
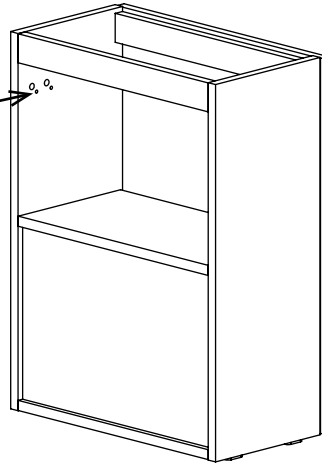
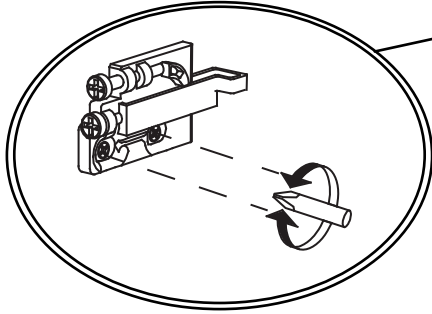
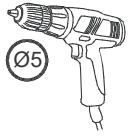
3,5 x 15

x4

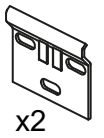
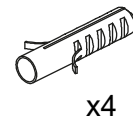
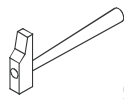
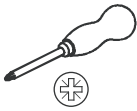


x1

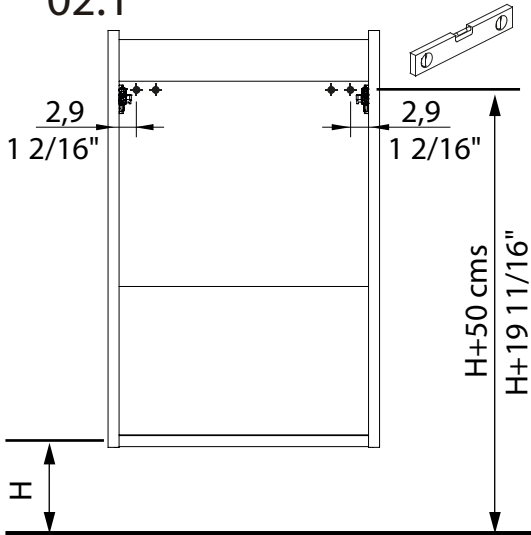
01.



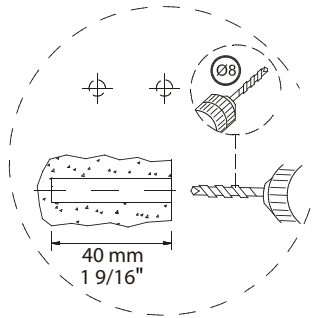
02.



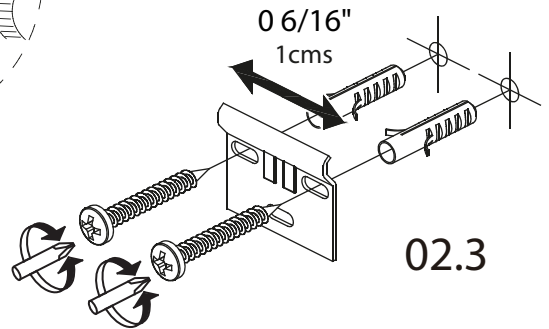
02.1



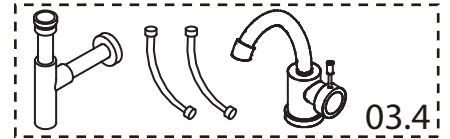
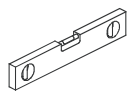
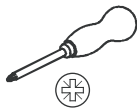
02.2



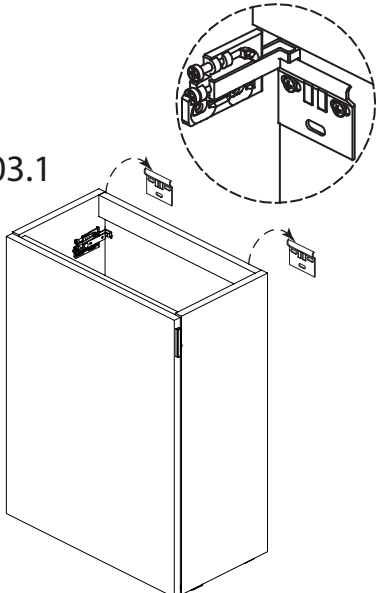
02.3



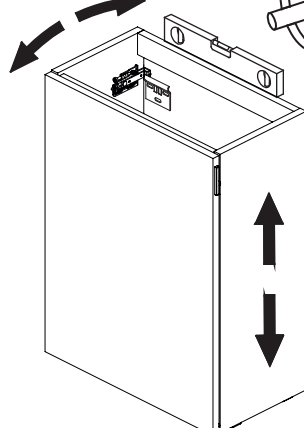
03.



03.1



03.3

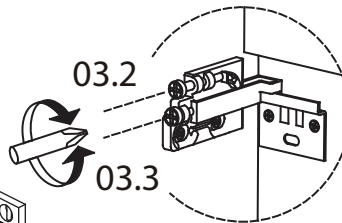


03.2

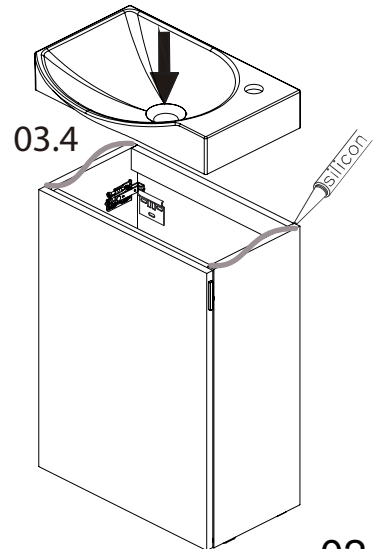
±1cms.

±0 6/16\""/>

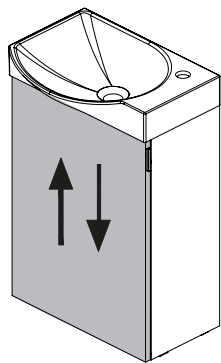
03.2



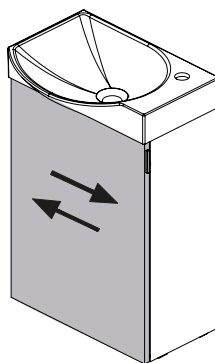
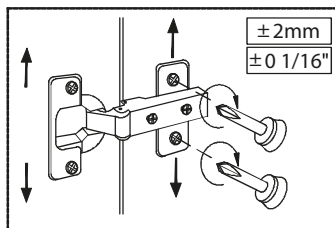
03.4



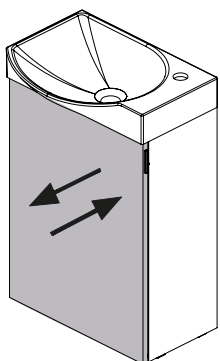
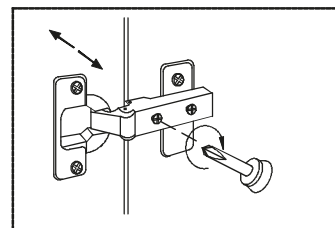
# 04.



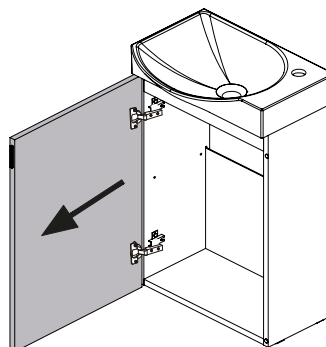
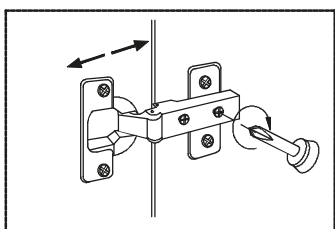
04.1



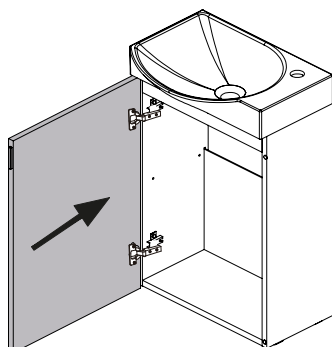
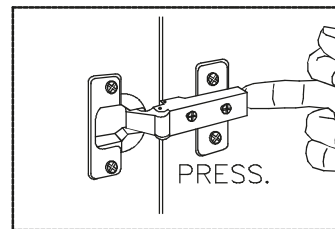
04.2



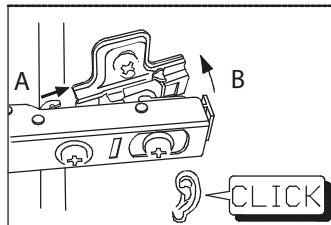
04.3



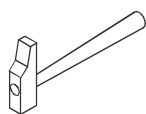
04.4



04.5

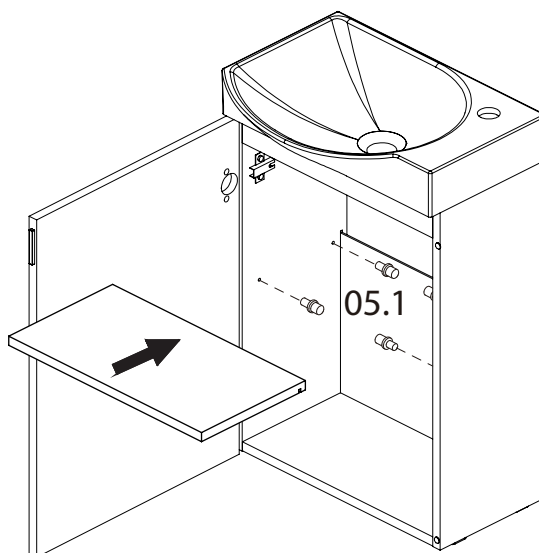


# 05.



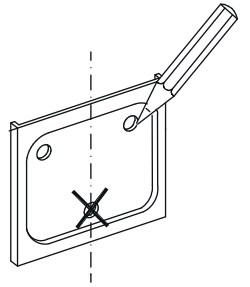
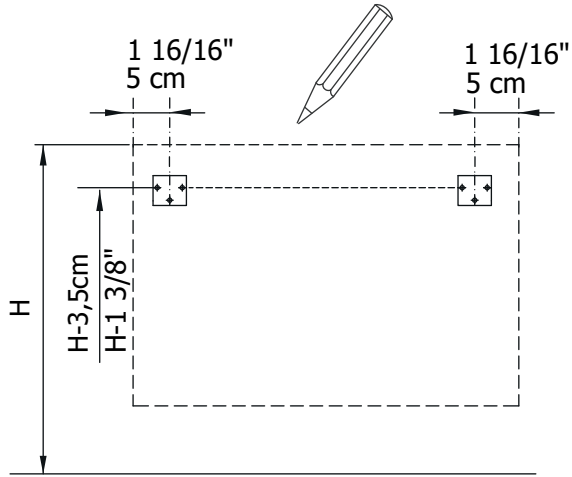
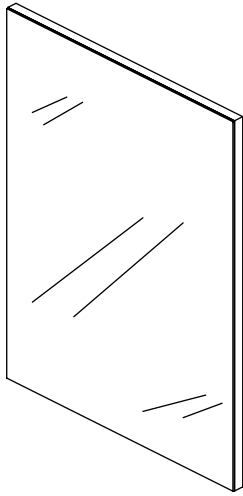
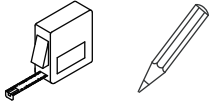
x4

05.2



05.1

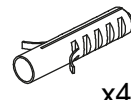
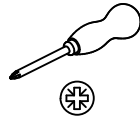
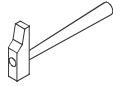
06.



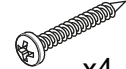
07.



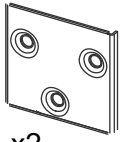
Ø8  
Ø0 5/16"



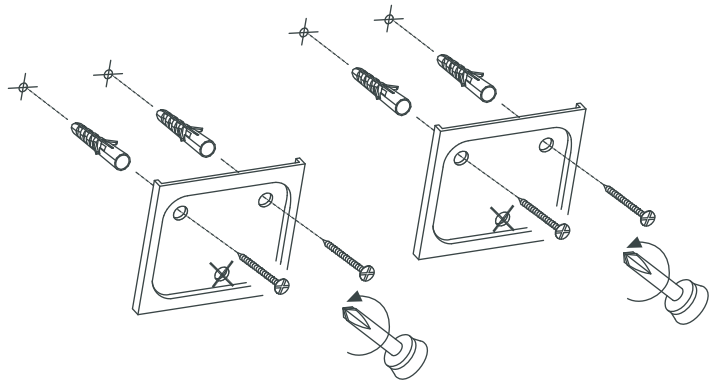
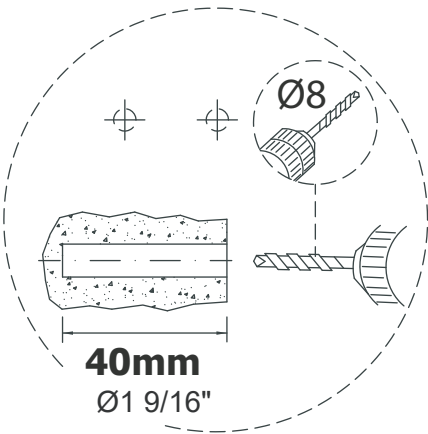
x4



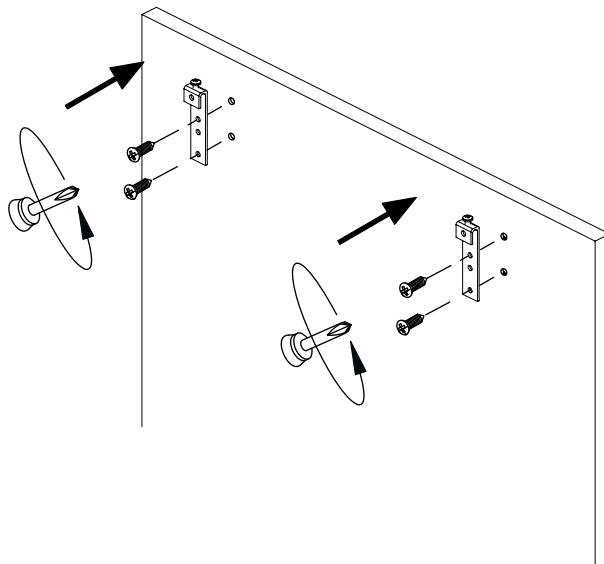
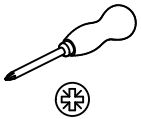
x4



x2



08.

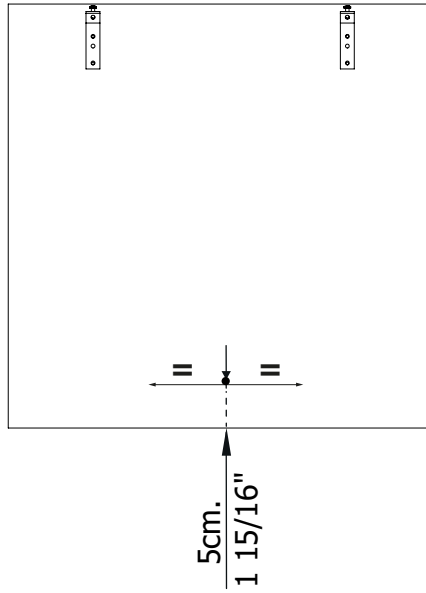
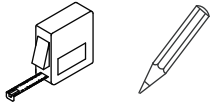


x2



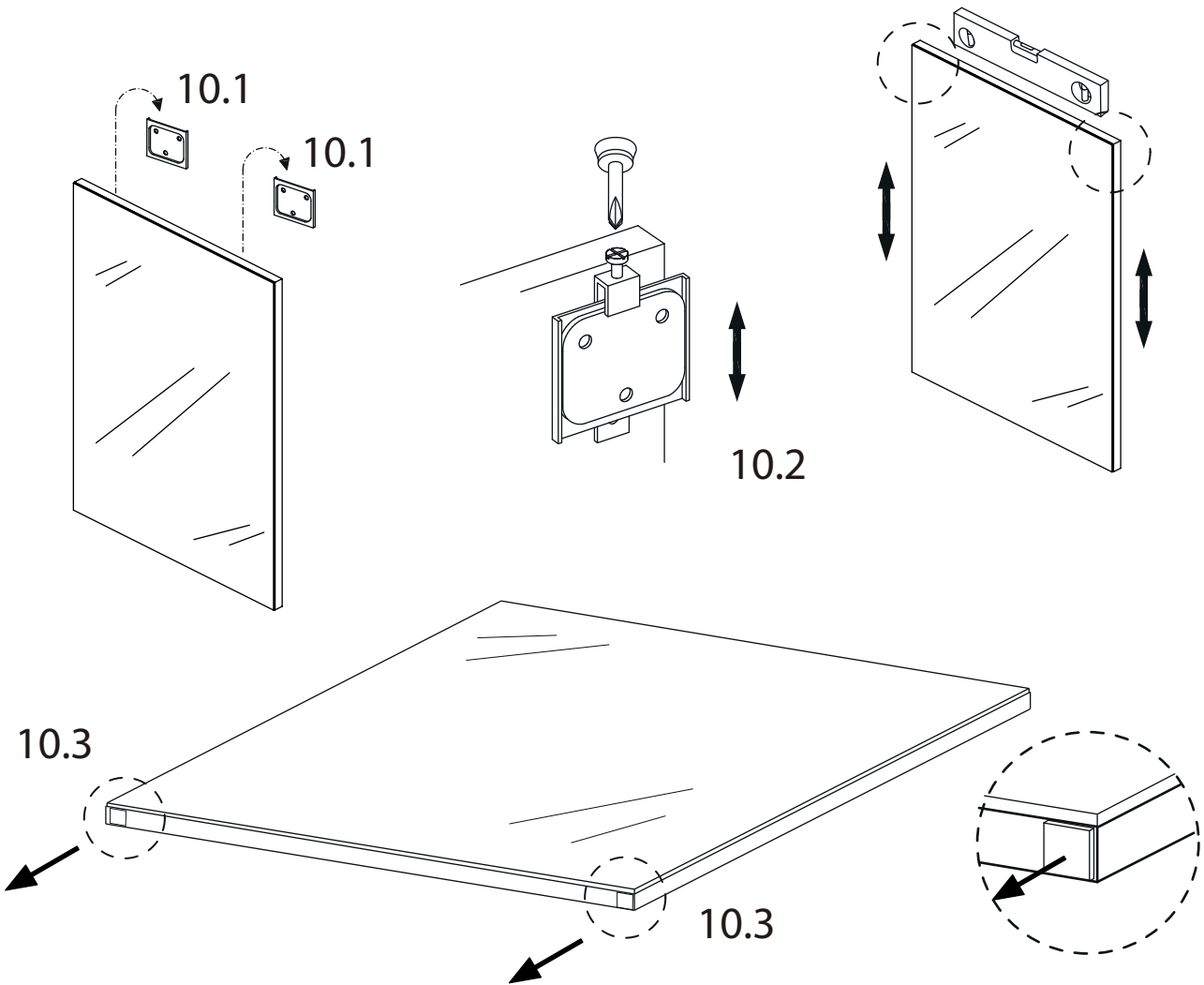
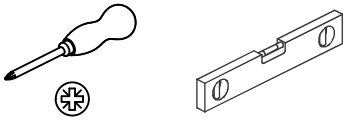
x4

09.



x1

10.



## Placement du siphon:

