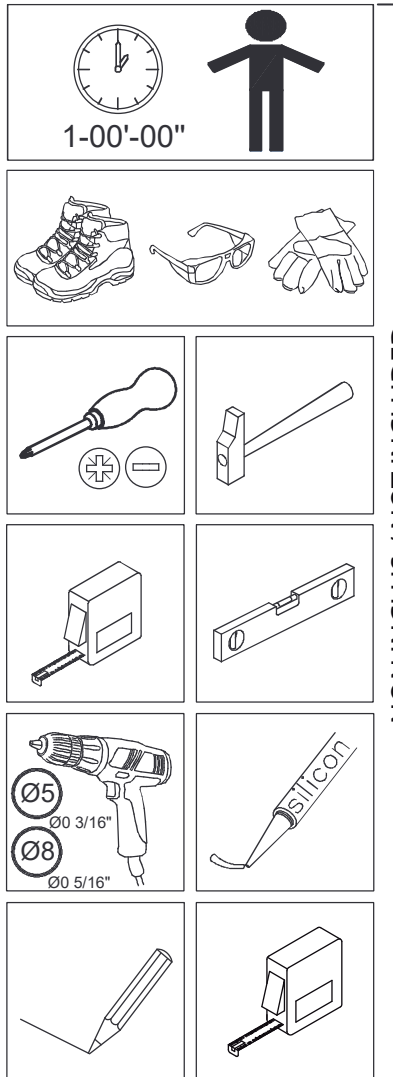
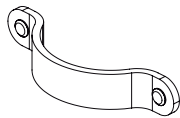
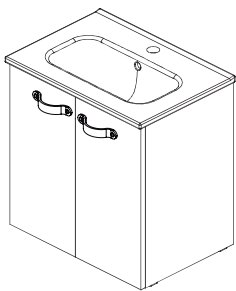
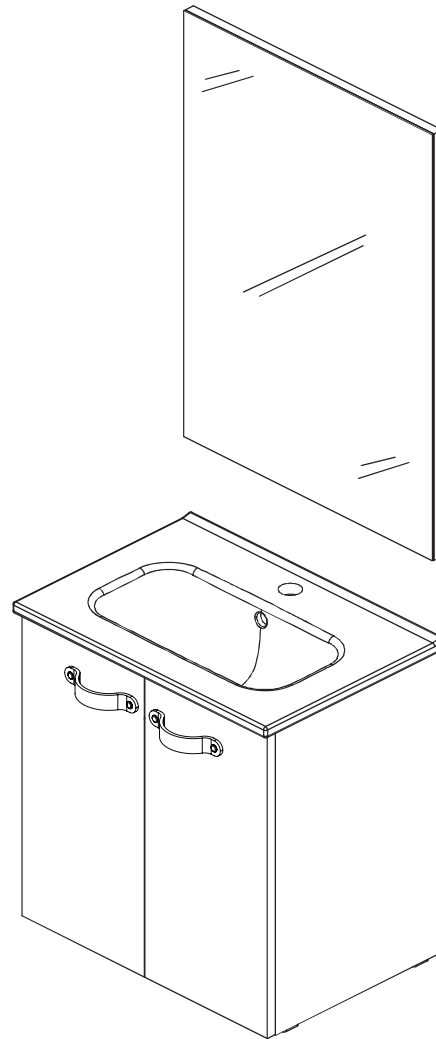


Aneko

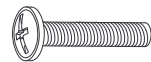
AMIZUVA



NON INCLUS / NOT INCLUDED



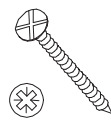
x2



x4



Ø8 x4
Ø0 5/16" x4



x4

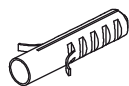
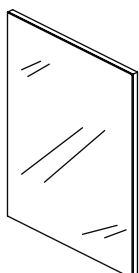
4,5 x 40
0 3/16" x 1 9/16"



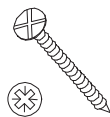
x2



x4

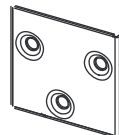


Ø8 x4
Ø0 5/16" x4



x4

4,5 x 40
0 3/16" x 1 9/16"



x2



x2



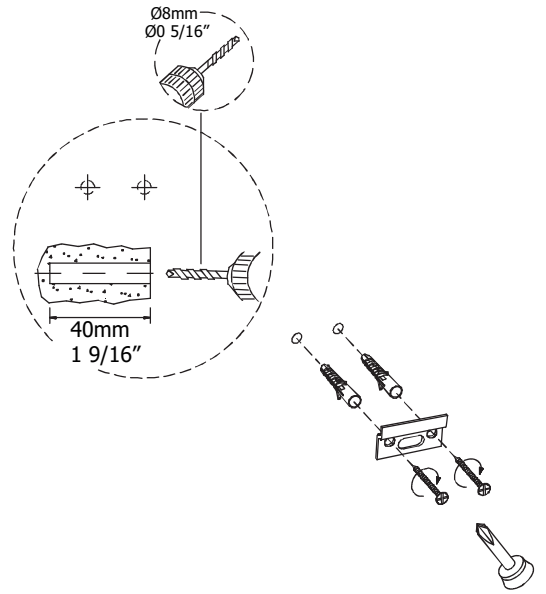
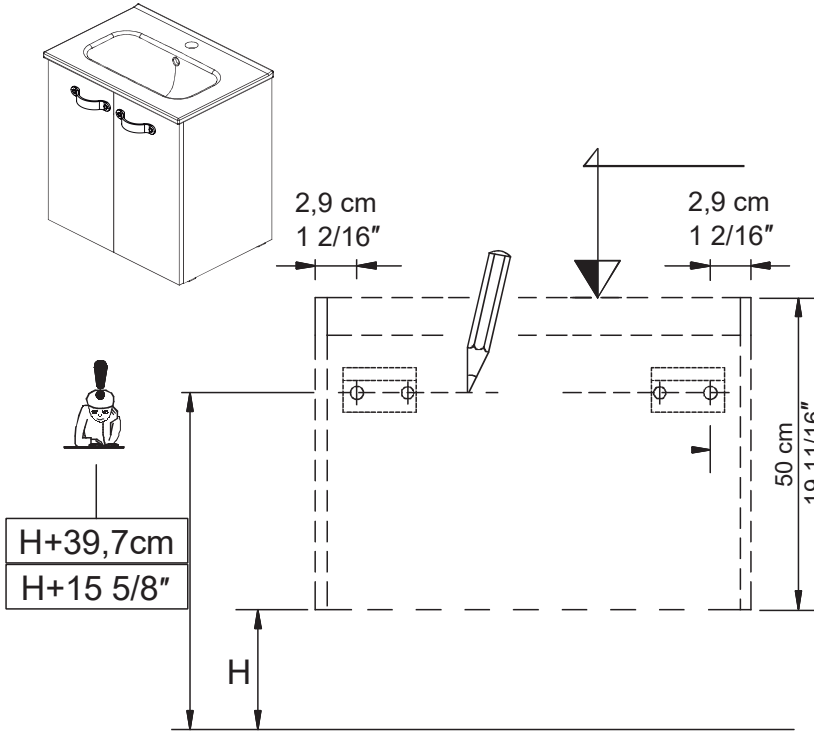
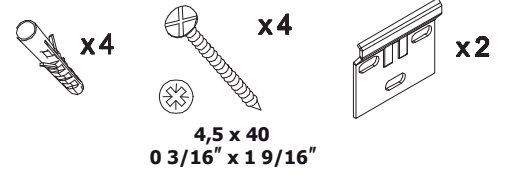
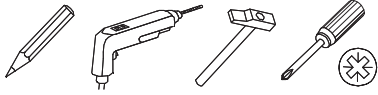
3,5 x 15

x4

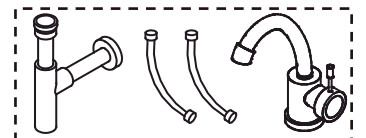
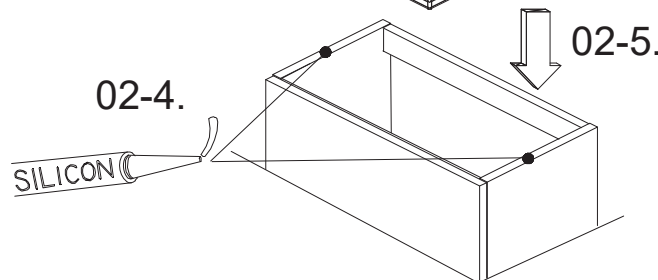
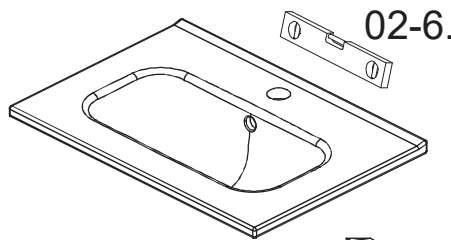
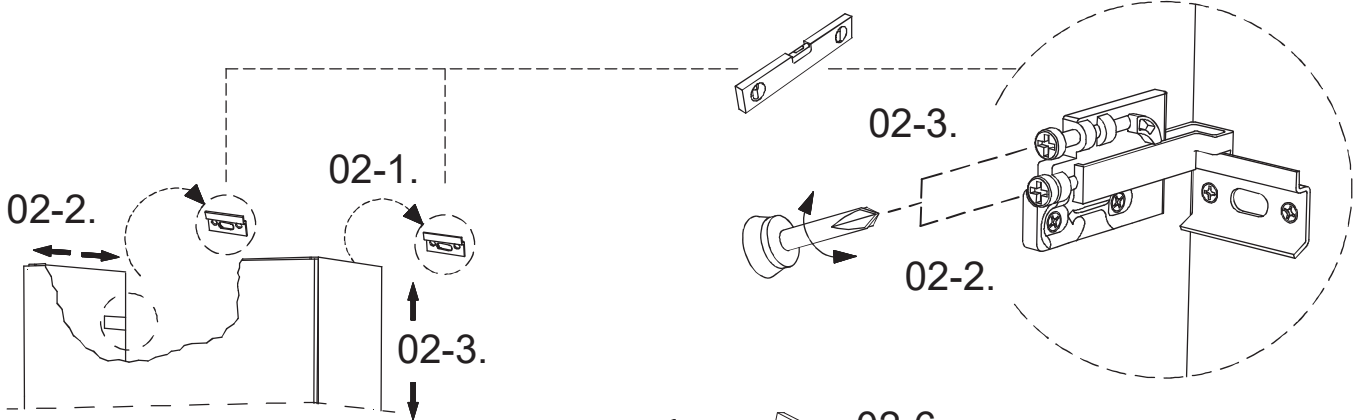
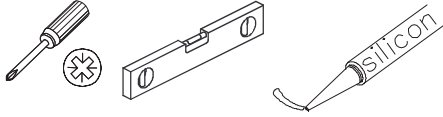


x1

01.



02.



03.



03.1 $\pm 2\text{mm}$
 $\pm 0\ 1/16''$

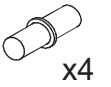
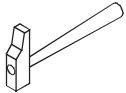
03.2

03.3

03.4 PRESS.

03.5 A B CLICK

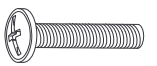
04.



04.1

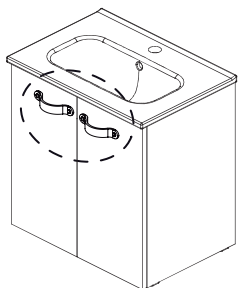
04.2

05.



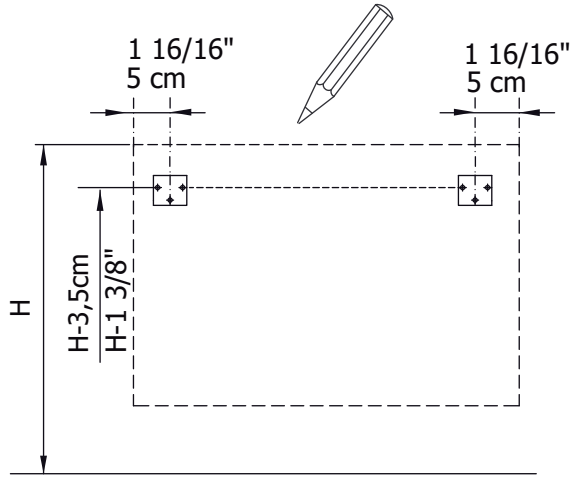
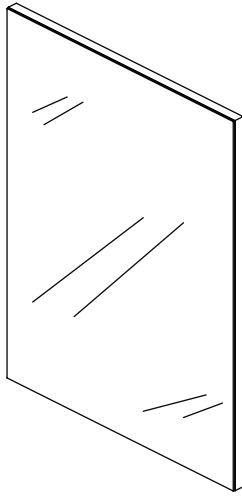
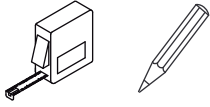
x2

x4

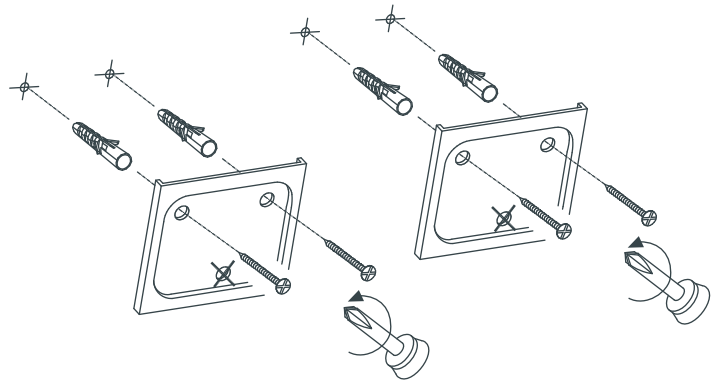
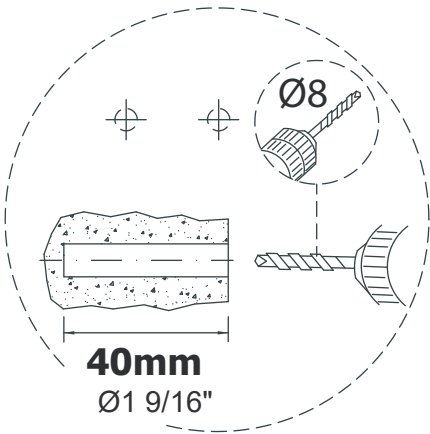
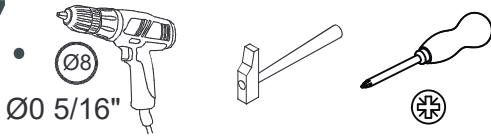


05.1

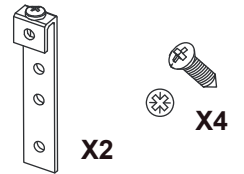
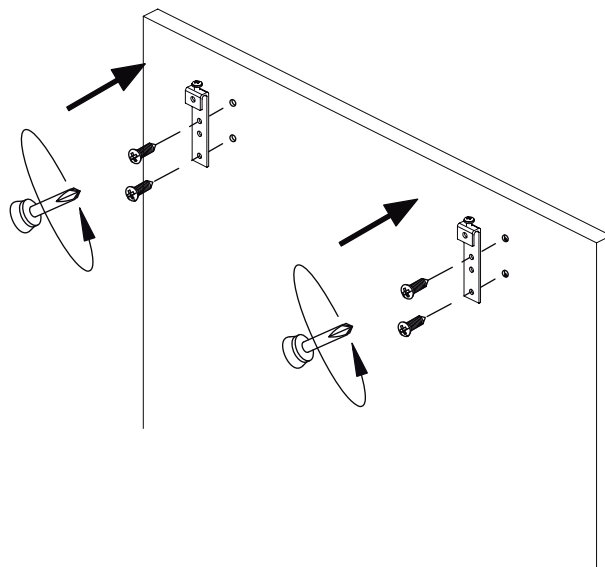
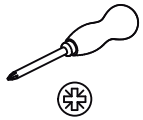
06.



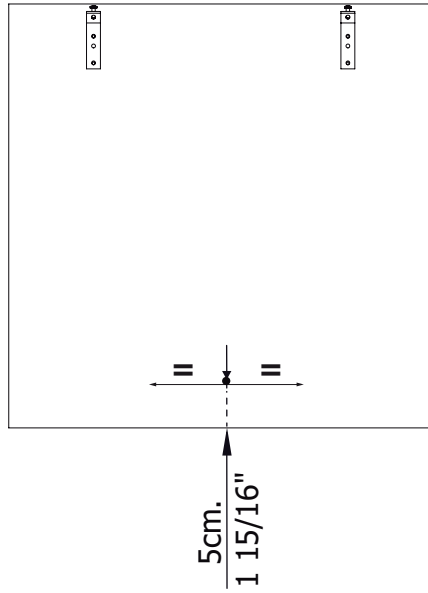
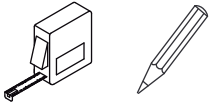
07.



08.

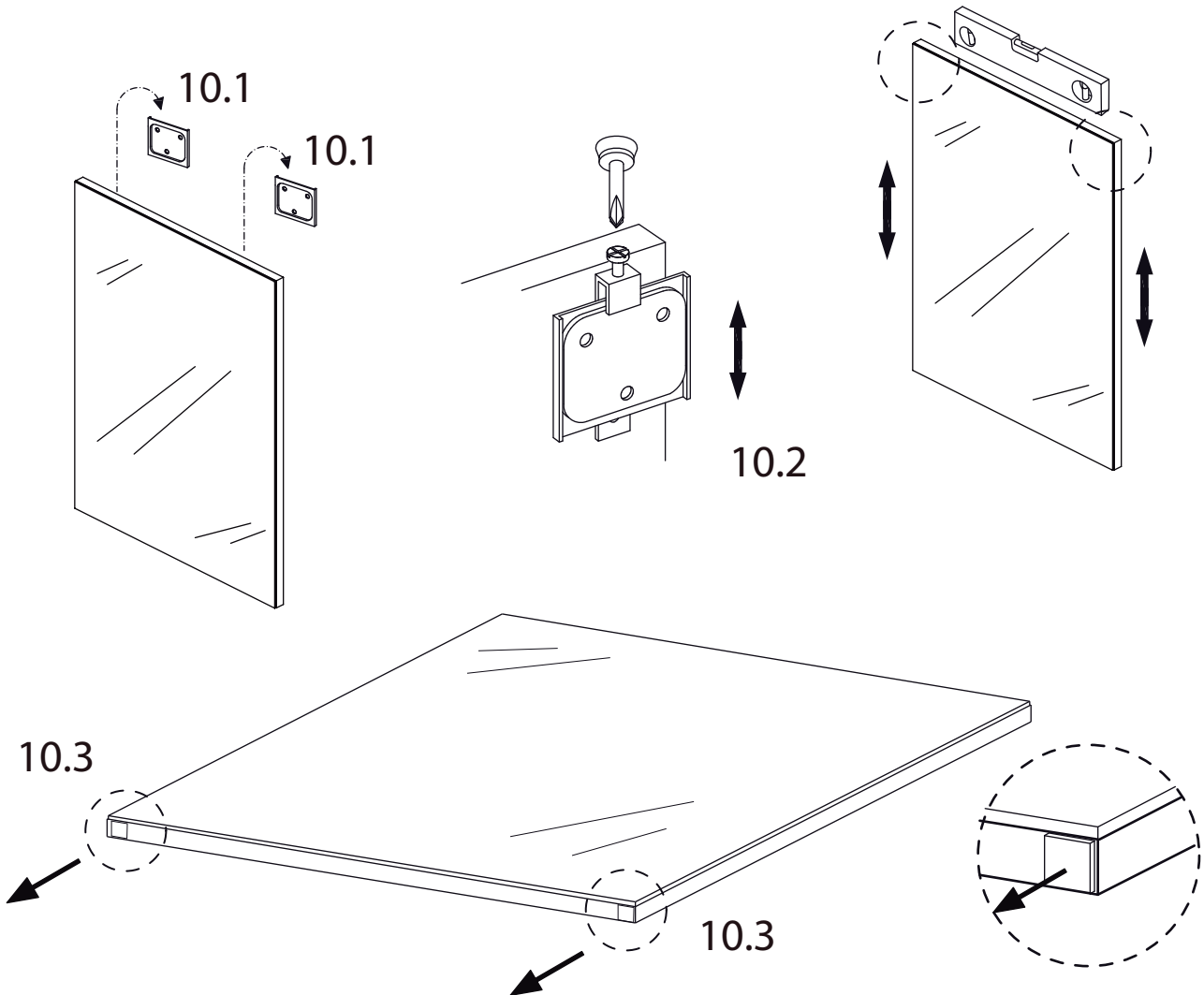
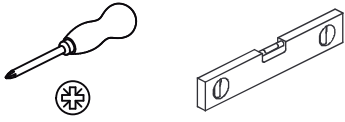


09.



x1

10.



Placement du siphon:

